

Anputzprofil Alsipro Perfekt

Reveal, sealing and protective rails for window and door systems for applications with extreme joint movement in alsecco façade systems.



AREAS OF APPLICATION

Self-adhesive PVC strip in two sections, with integrated joint sealing tape and mesh for ETICS junctions with extreme equalising movement at interfaces with other structural units.

Window and door interfaces can be created quickly and cleanly.

Integrated strip of mesh ensures professional reveal reinforcement.

There is no limit on frame leg lengths.

PRODUCT PROPERTIES

- Simple formation of details due to quick and easy application
- Good finish ensured by clean interface with render
- High degree of movement compensation due to integrated joint sealing tape
- Flexible pull tab ensures easy decoupling of the joint sealing tape
- With integrated mesh strip, approx. 130 mm wide
- With shadow joint
- Integrated adhesive strips for attaching masking film to protect windows and frames
- Resistant to water penetration under driving rain according to DIN EN 1027
- PE sealing tape, self-adhesive
- Weatherproof, light-resistant, non-ageing, maintenance free
- Accessories: Quick-fit connector with integrated sealing tape for easy and secure Alsipro Perfekt butt joints

TECHNICAL DATA

Material	Plastic, flexible polyurethane foam, glass fibre mesh
Rod length	1,40 m / 2,40 m

GENERAL INFORMATION

Joint movement of the stop bead depending on installation circumstances.

Insulation type and insulation bonding	In unfinished state the window has a reveal depth of > 80 mm	The window is flush with shell construction and old render	The window is in the insulation or flush with facade
Insulation with high shear resistance and extremely adhesive, close to edge bonding	low	high	high
Insulation with high shear resistance and without reliable, close to edge bonding	high	high	extreme
Insulation with low shear resistance and with extremely adhesive, close to edge bonding	high	high	extreme
Insulation with low shear resistance and without reliable, close to edge bonding	high	extreme	extreme

Elasticised EPS insulation material and mineral wool insulation boards in Miwo Type-zg quality are referred to as insulation with low shear resistance; Alsitherm Pheno is also categorised in this group. All other permissible insulation material has a high shear resistance.

Shell construction reveals with a depth smaller than 80 mm do not hinder deformation and therefore, must be put on the same level as the application circumstances of the window position flush with shell construction.



APPLICATION CRITERIA

ETICS connections with extreme joint movement through 3-dimensional movement compensation

- Tension: up to approx. 5 mm
- Pressure: up to approx. 2 mm
- Shear movement on window plane: approx. 3.2 mm

For thin and average coated render systems.

Use of the strip by sticking it onto the window frame.

The strip is used flush with the insulating material by notching the insulating material.

No limitation of the basic side lengths.

High degree of movement compensation and impermeability through additionally integrated joint sealing tape.

Activation of the sealing tape after hardening of the render layer by removing the snap-off edge.

APPLICATION INSTRUCTIONS

Substrate pre-treatment

All substrates must be stable, level, clean, dry and free of any residue, which can reduce adhesiveness. It is imperative to check adhesion before application. If necessary, Confer with window manufacturer regarding suitable cleaning agents and their compatibility with the window sill coating.

Windows and doors must be fixed in a manner, which rules out impermissible movements according to the effective guidelines of the associations (RAL-Gütegemeinschaft Fenster und Haustüren - RAL Quality Association Windows and Doors; Bundesverbände des Holz- und kunststoffverarbeitenden Handwerks, des Glashandwerks, des Metallhandwerks - German Associations of the wood and plastics processing trade, the glass trade and metal trade) and the technical rules.

Application

Cut the reveal rail to the desired length.

Attach the appropriate reveal rail for the clear opening of the window reveal by sticking it to the window or door frame and pressing it firmly into position.

Once fixed in position, the reveal rail should be coated as soon as possible to avoid it becoming accidentally detached.

If reveal rail joints have to be incorporated, the optional connectors for straight joints, corners or window sill stops should be used. Alternatively Joint Sealer MS can be used to connect the individual sections. When using connectors, one side of the reveal rails should be released and the instructions supplied with the connectors followed. It is important that the bonded reveal rails are flush so that the connectors can click into place.

Attach the protective film for windows to the self-adhesive tabs on the reveal rail.

Create an overlap at least 10 cm wide between the strip of mesh and the system mesh. If it cannot be guaranteed that the system mesh will reach right up to the front edge of the reveal rail, position an additional strip of mesh over the rail's mesh joints.

Embed the rail's glass-fibre mesh when applying the reinforcement layer.

When the rendering has been completed and the render has dried out, remove the integrated adhesive strip for the masking film. Afterwards the joint sealing

strip is activated by carefully removing the pull tab.

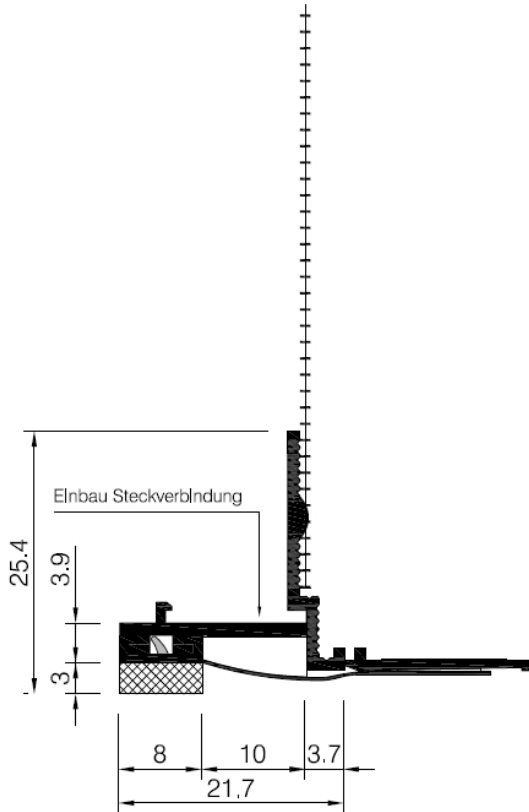
Information about the weather

The working temperature may not fall below 5 °C.

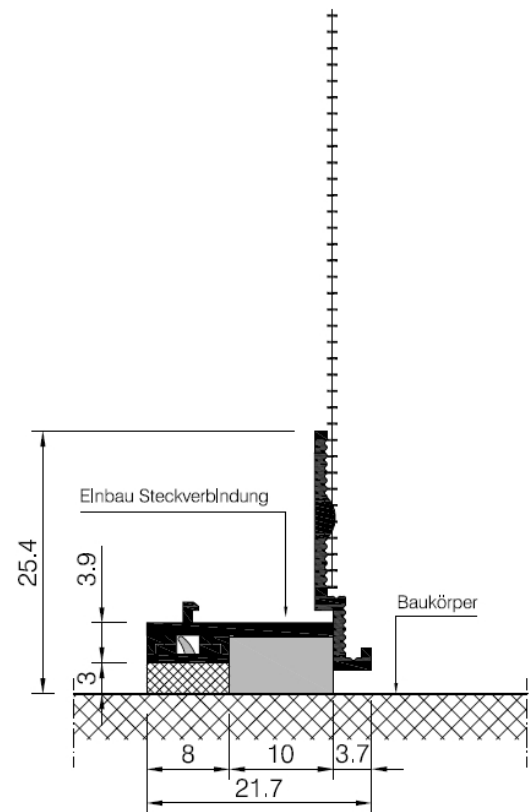
The substrate temperature should not fall below 5 °C and not exceed 35 °C.

SKETCHES

Anputzprofil Alsipro Perfekt

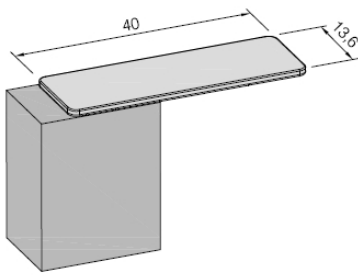


Auslieferungszustand

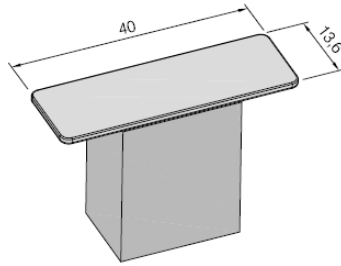


eingebauter Zustand

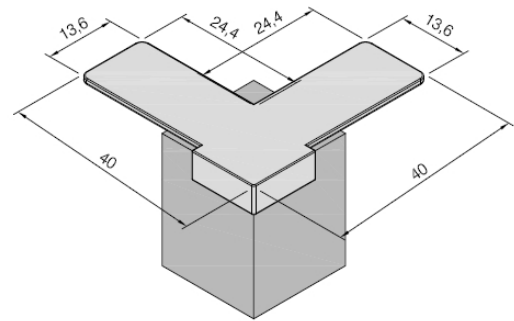
Steckverbinder für Anputzprofil Alsipro Perfekt



Endverbinder



Stoßverbinder



Eckverbinder

STORAGE

Dry, cool, protected against sunlight and moisture.

PACKAGING INFORMATION

Colour	White
Packaging unit	Please also refer to the current product range

OTHER INFORMATION

Transportation	Not a hazardous material
----------------	--------------------------

alsecco GmbH
 Kupferstraße 50
 D-36208 Wildeck
 Phone 03 69 22 / 88-0
 Fax 03 69 22 / 88-330
 Internet: www.alsecco.de

The above information is based on many years of experience and tests and is provided by us to the best of our knowledge. Such information applies in addition to our application guidelines. However, we cannot accept any responsibility for the correctness of our recommendations on account of wide variety of substrates and of on-site conditions and applications which are outside our control. Any recommendations provided by our employees and deviating from these documents must be given in writing. We reserve right to make any changes on account of technical progress or building regulations. Your technical advisor will be pleased to provide the relevant product data sheets.